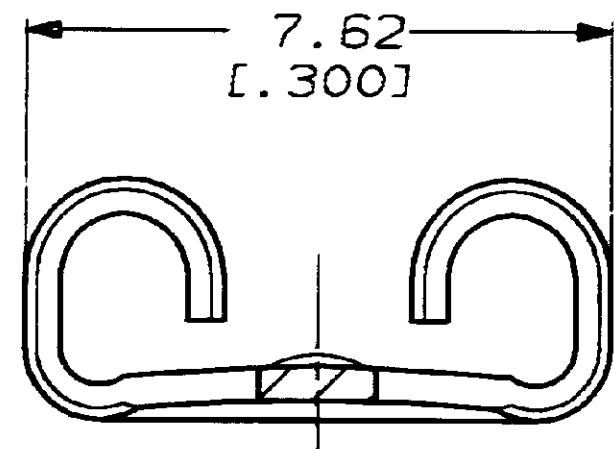
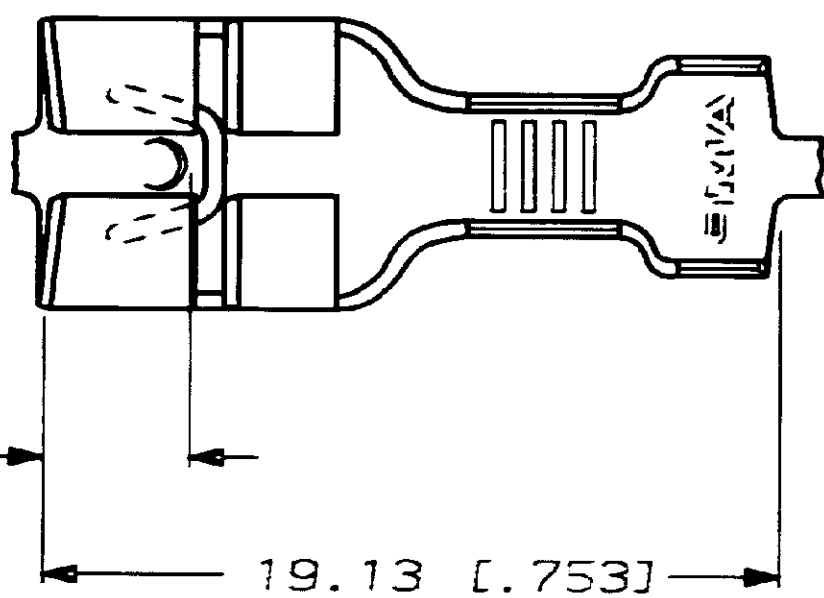


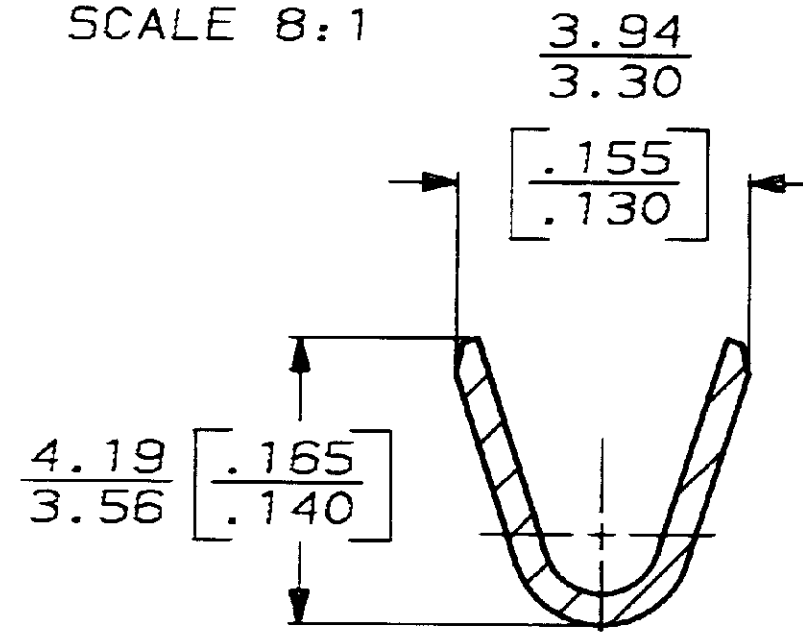
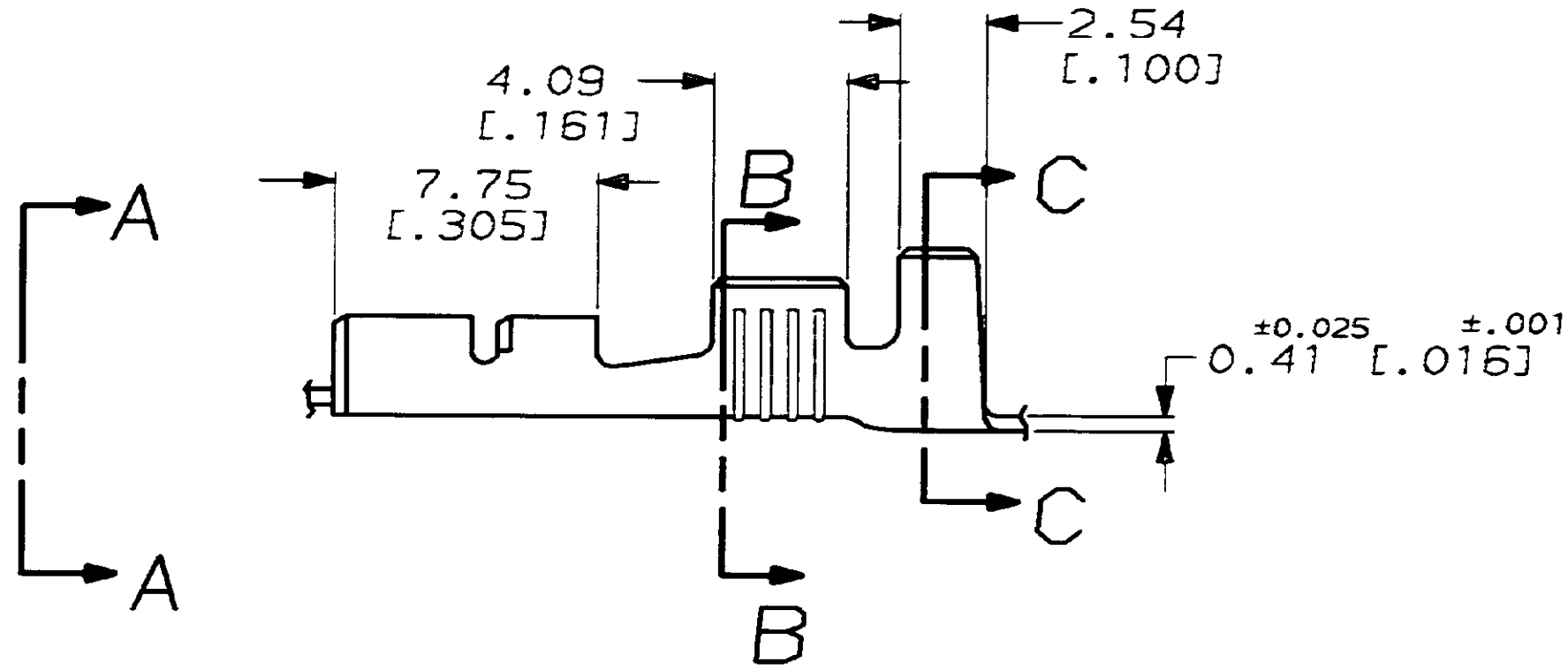
THIS DRAWING IS UNPUBLISHED. RELEASED FOR PUBLICATION .19
 © COPYRIGHT 19 BY AMP INCORPORATED. ALL INTERNATIONAL RIGHTS RESERVED.

LOC		DIST		P		F		ZONE		LTR		REVISIONS	
AF		50								A		REL PER 0197-93	
DESCRIPTION												DATE	APPD
												6/11/93	-

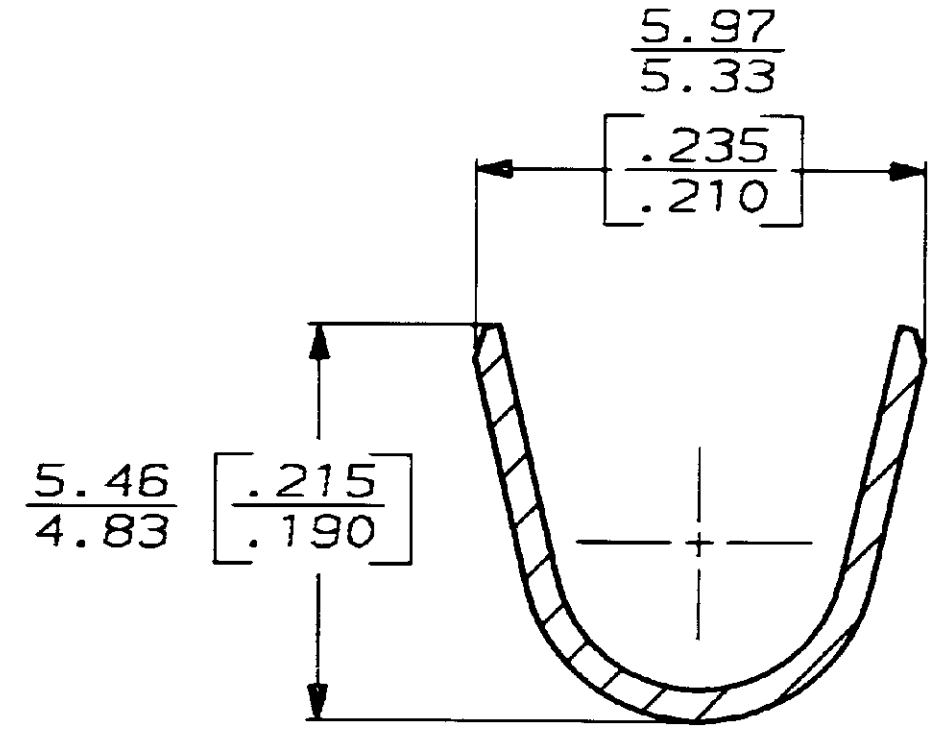


1 CONTINUOUS STRIP ON REELS.

VIEW A-A
SCALE 8:1



SECTION B-B
SCALE 8:1



SECTION C-C
SCALE 8:1

F	4.57 [.180]	5.59 [.220]	F	2.79 [.110]	1.47 [.058]	0.8mm² [#18]
					1.62 [.064]	1.3mm² [#16]
					1.85 [.073]	2.0mm² [#14]
TYPE	WIDTH	STRIP LENGTH ±.015	TYPE	WIDTH	±0.051 [.0023] HEIGHT	WIRE
INSUL BARREL CRIMP			WIRE BARREL CRIMP			

3.05-4.32 DIA [.120-.170] DIA	0.8-2.0mm² [18-14] AWG	0.81 [.032]	63674-1
INSUL RANGE	WIRE SIZE	MATING TAB THK ±0.025 [.001]	PART NO.
DO NOT SCALE PRINT. UNLESS SPECIFIED DIMENSIONS ARE IN METRIC TOLERANCES ON: 2 PLC DEC ± 0.25 [.010] 3 PLC DEC ± - ANGLES ± -		AMP AMP INCORPORATED Harrisburg, Pa. 17105 NAME RECEPTACLE, FASTON, LOW-INSERTION 6.35 [.250] SERIES	
MATERIAL TEMP 2 STEEL	FINISH NICKEL 0.00381 [.000150] MIN	DR 11/5/92 JR RUTH CHK 11/5/92 MS FEHER APPD 11/5/92 C MEYERS APPD 11/5/92 R REINER PRODUCT SPEC - APPLICATION SPEC - WEIGHT -	SIZE B 00779 SCALE 4:1 FSCM NO 00779 DRAWING NO 63674 SHEET 1 OF 1